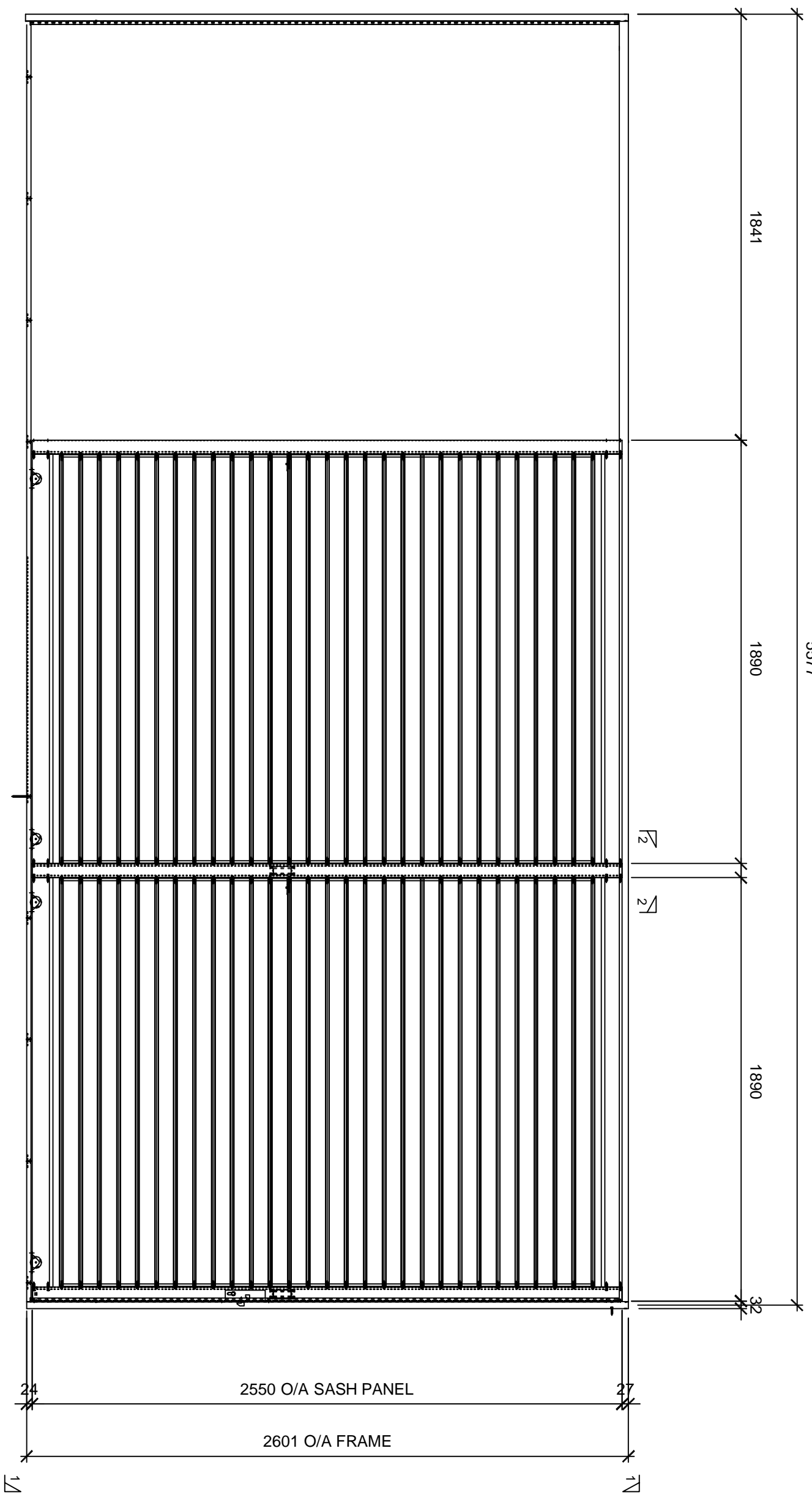
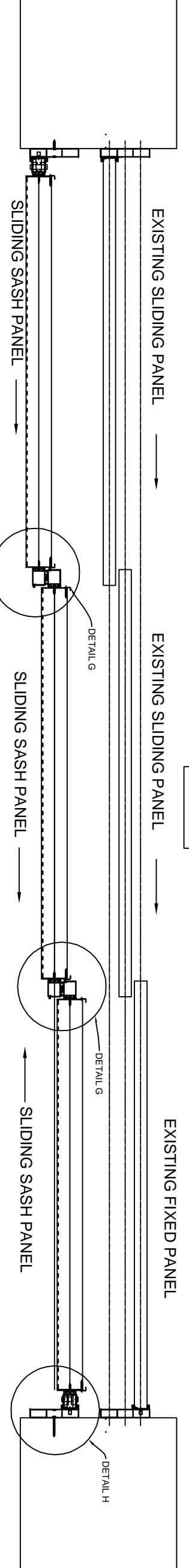


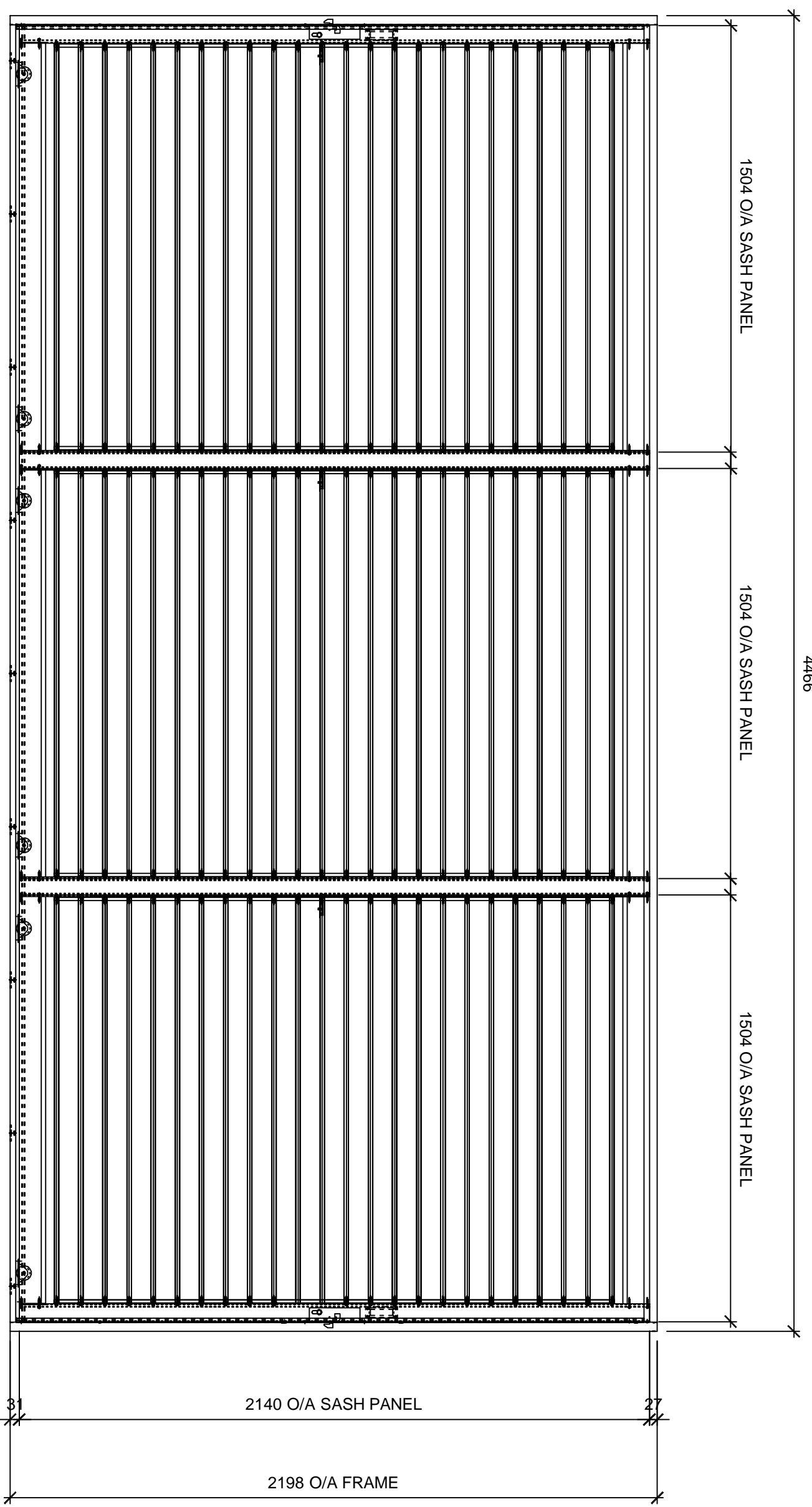
OUTSIDE ELEVATION OF REBLOUVRE DOUBLE RAIL SLIDING PANELS
 CODE "RLSP-FDC-2SP" - DOUBLE FLUSH CILL 2 NO SLIDING PANELS
 (LOUVRES SHOWN IN OPEN POSITION)
 SCALE 1:20



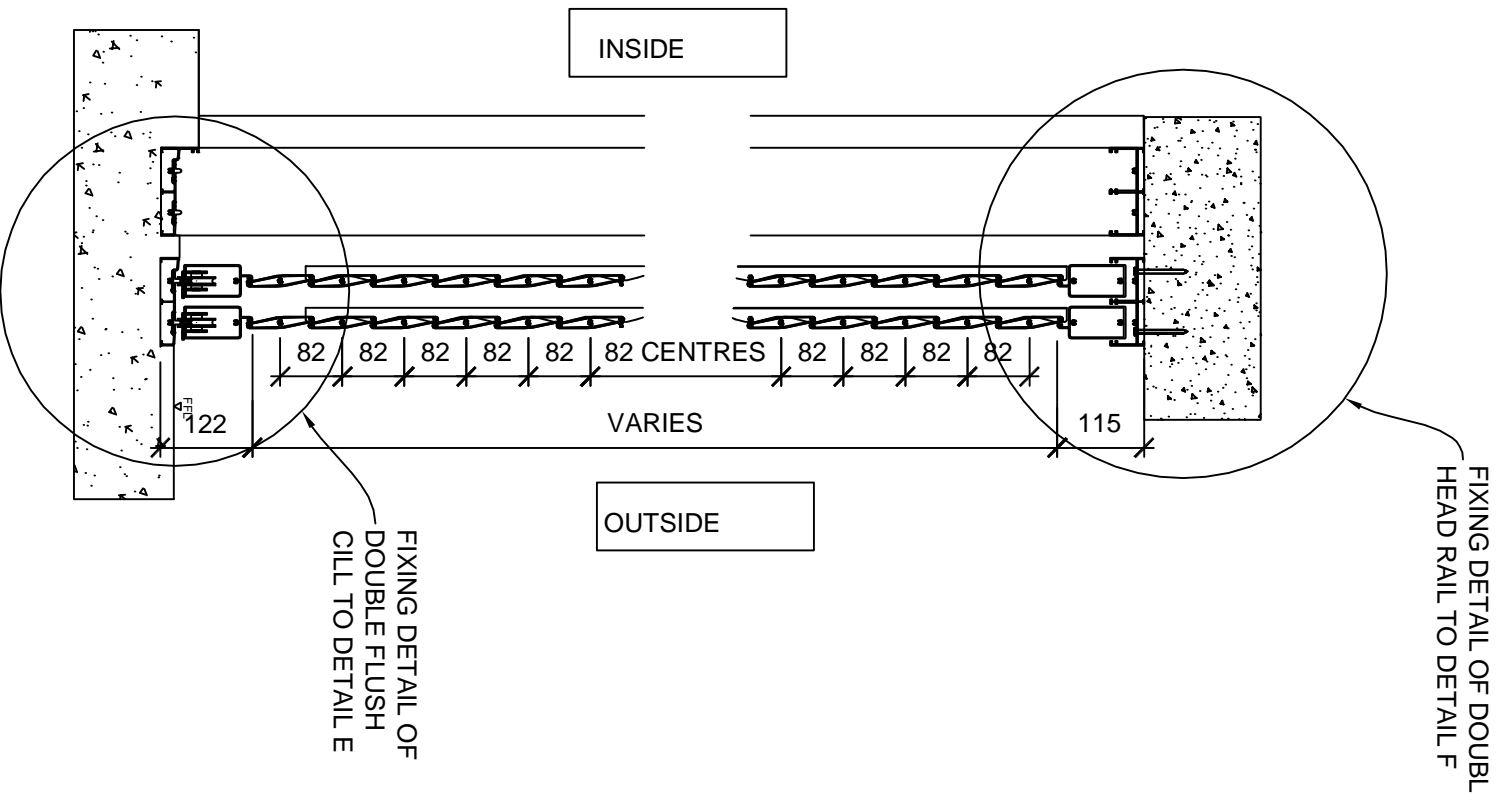
PLAN VIEW OF PANELS IN THE LOCKED POSITION -
 SCALE 1:16



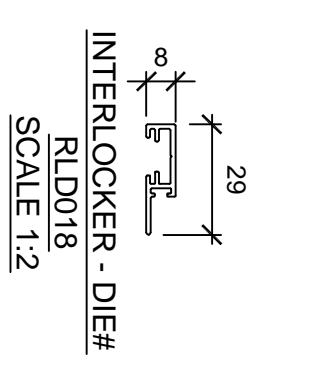
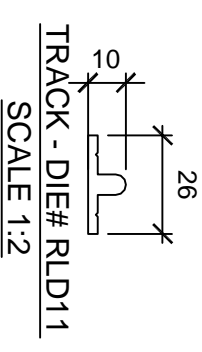
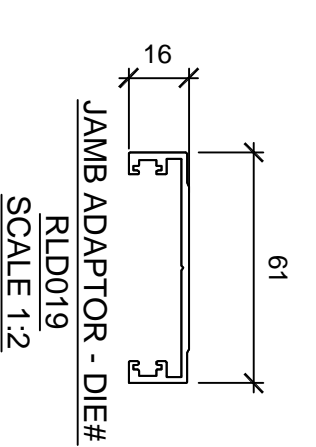
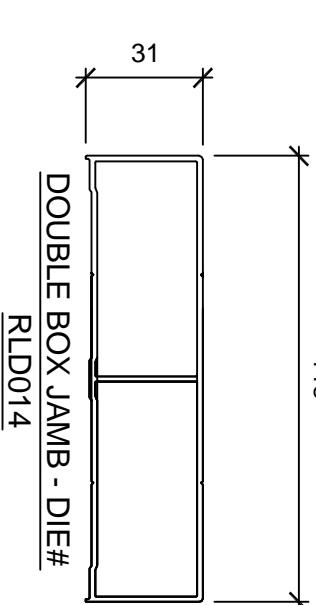
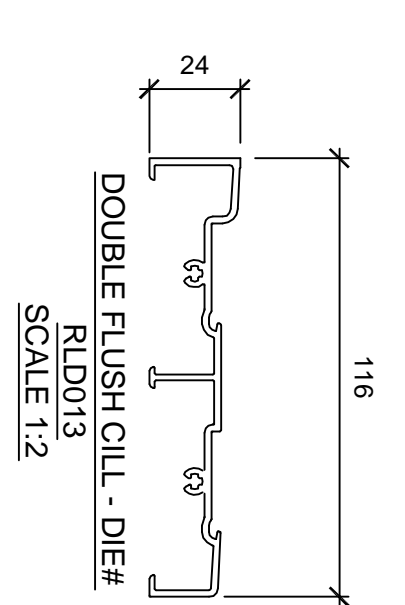
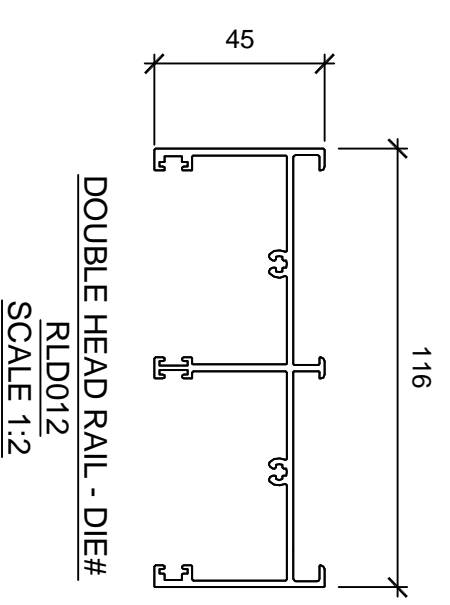
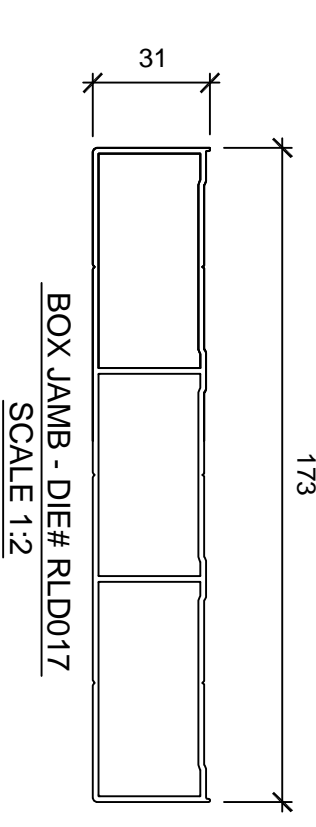
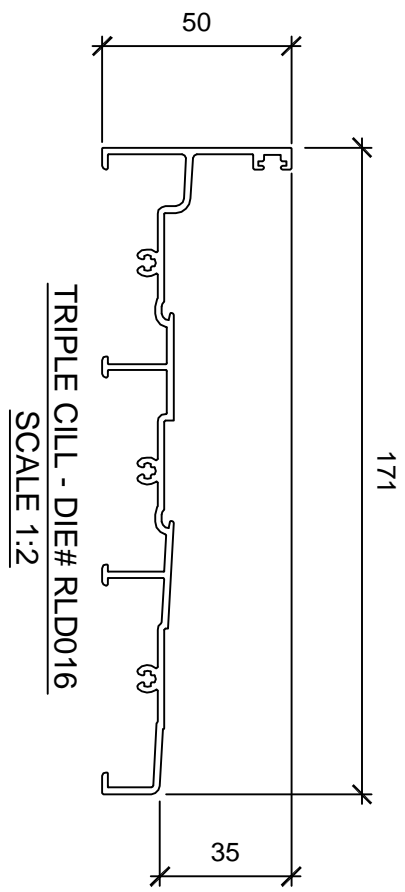
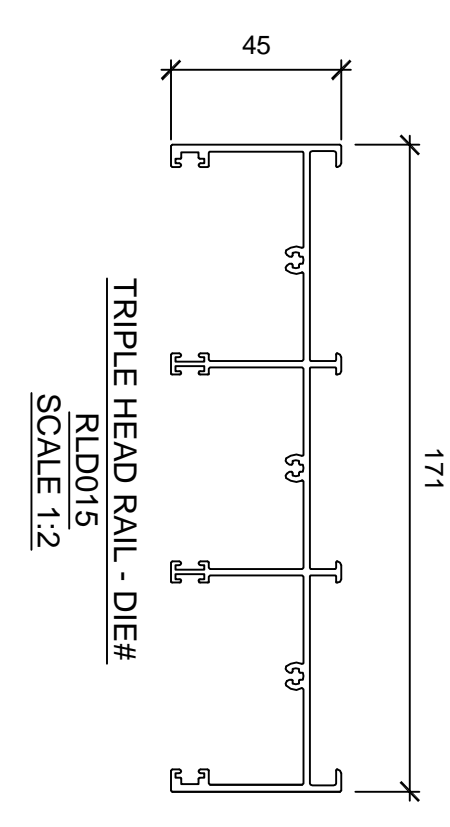
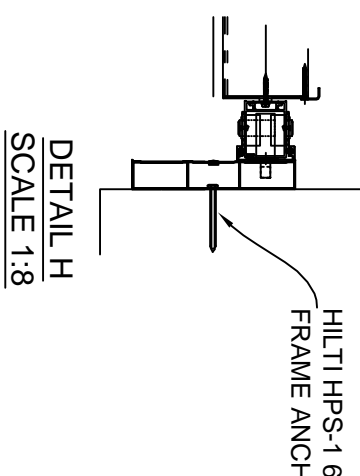
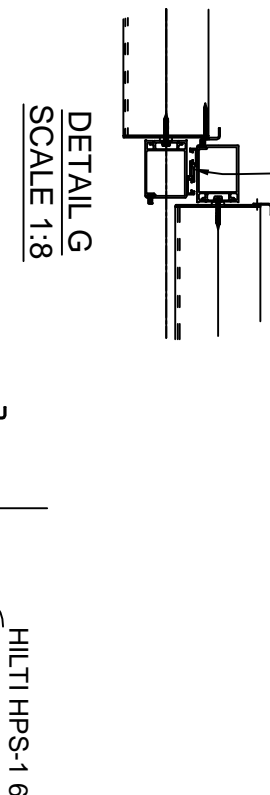
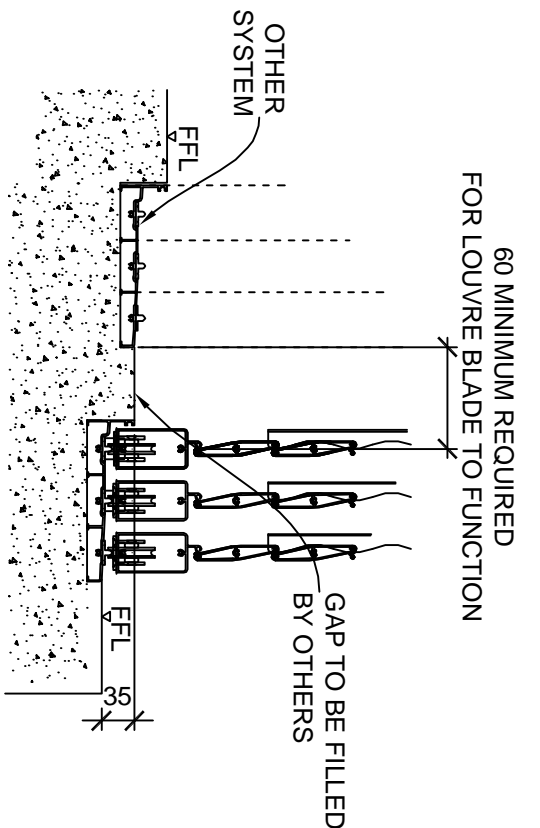
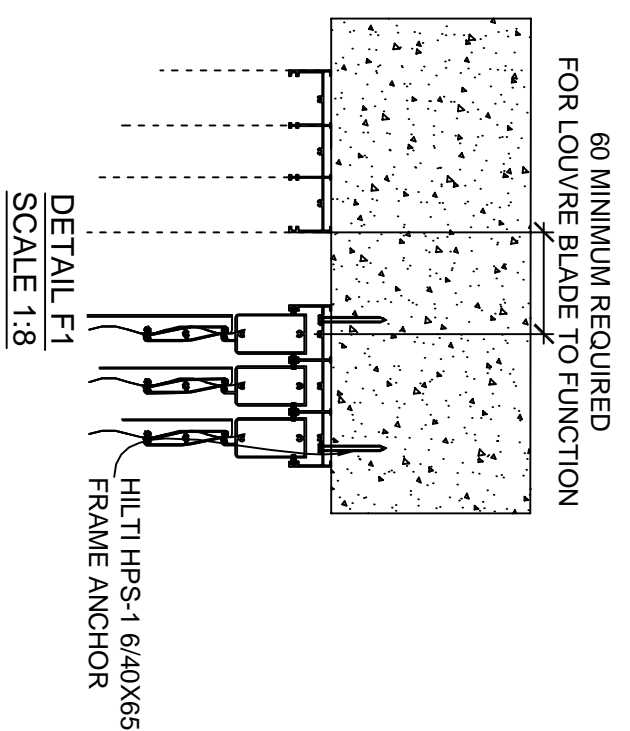
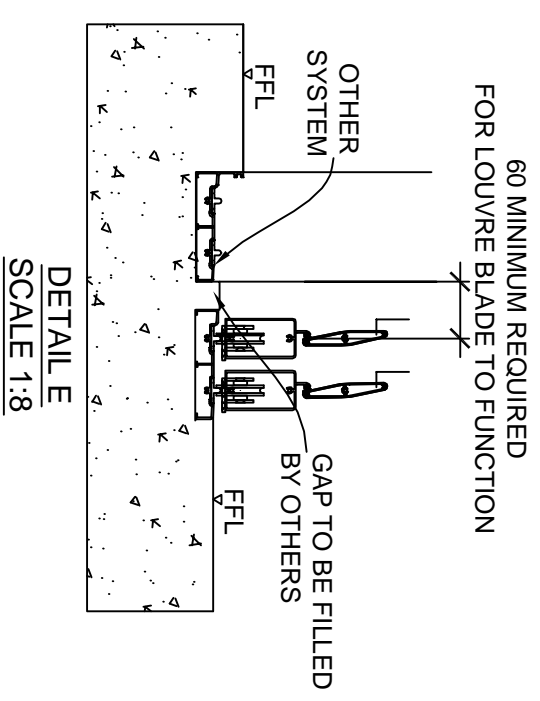
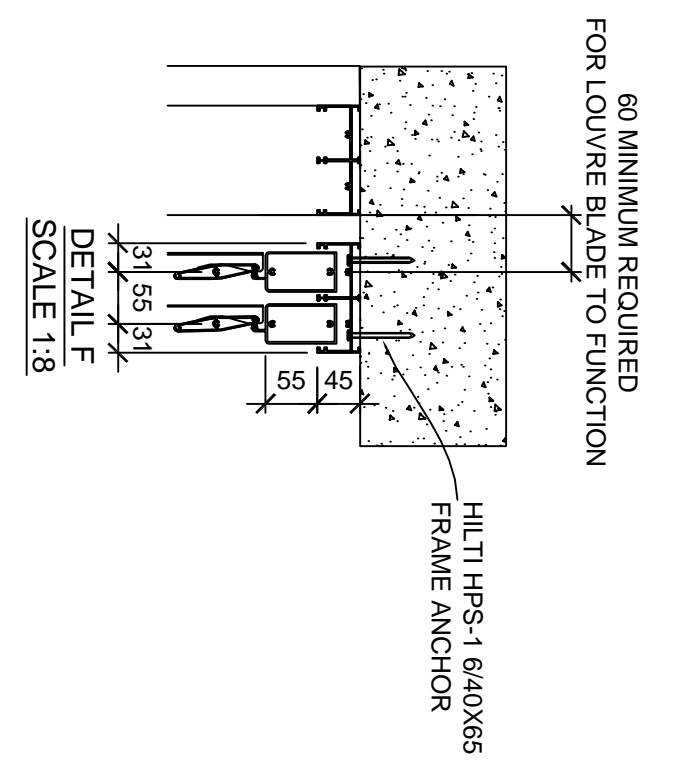
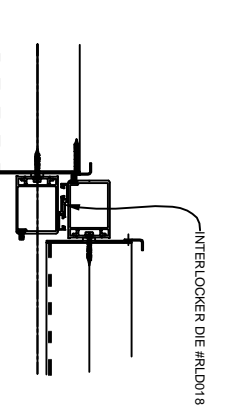
OUTSIDE ELEVATION OF REBLOUVRE TRIPLE RAIL SLIDING PANELS
 CODE "RLSP-TC-3SP" - TRIPLE CILL 3 NO SLIDING PANELS
 (LOUVRES SHOWN IN OPEN POSITION)
 SCALE 1:16



SECTION 1-1 (THRESHOLD CILL)
 LOUVRES SHOWN IN CLOSED POSITION
 SCALE 1:4



SECTION 2-2
 SCALE 1:8



Corrosion Protection

Item	Description	Min. DFT
-	EPOXY POWDER COATED - COLOUR TO BE ADVISED	-
-	-	-
-	-	-
-	-	-
-	-	-

Drawing Revision Register

Rev	Date	Description	Drawn
-	-	-	-
-	-	-	-
-	-	-	-
-	-	-	-

reblouvre
 Aluminum adjustable louvre systems

Unit 6, 15 Herwood Road
 PO Box 444
 New Germany
 3620

Tel.: +27 31 7055851
 Fax: +27 31 7055855
 Website: www.reblouvre.com
 Email: info@reblouvre.com

Client Name	-
Project Name	STANDARD DETAILS FOR SLIDING DOORS
Drawing Description	STANDARD DETAILS FOR SLIDING DOORS
Drawing Format	A1
Date	09.02.2016
Drawn by	K Neelicker
Contract	RLSTD/4
Rev.	-